

**PLEASE CHECK WWW.MOLEX.COM FOR LATEST PART INFORMATION**

**Part Number:** [0050650109](#)  
**Status:** **Active**  
**Overview:** [cgrid\\_sl\\_products](#)  
**Description:** 2.54mm (.100") Pitch, SL™ Single Row Wire-to-Wire Panel Mount, 9 Circuits

**Documents:**

[3D Model](#) [Drawing \(PDF\)](#)  
[Packaging Specification \(PDF\)](#) [RoHS Certificate of Compliance \(PDF\)](#)

**Agency Certification**

CSA	LR19980
TUV	R72081037
UL	E29179

**General**

Product Family	Accessories
Series	<a href="#">70104</a>
Component Type	Branch
Overview	<a href="#">cgrid_sl_products</a>
Product Name	SL™

**Physical**

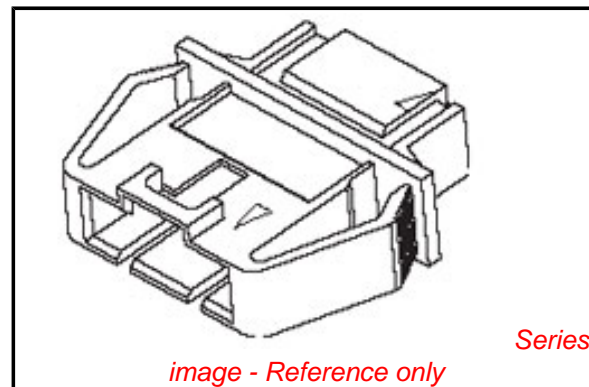
Circuits (Loaded)	9
Color - Resin	Black
Flammability	94V-0
Lock to Mating Part	Yes
Material - Resin	Polyester
Packaging Type	Bag

**Material Info**

Old Part Number	701040008
-----------------	-----------

**Reference - Drawing Numbers**

Sales Drawing	SD-70104-0003-0024
---------------	--------------------



**EU RoHS**

**ELV and RoHS  
Compliant**  
**REACH SVHC  
Contains SVHC: No**  
**Halogen-Free**  
**Status  
Not Reviewed**

**China RoHS**



**Need more information on product  
environmental compliance?**

Email [productcompliance@molex.com](mailto:productcompliance@molex.com)  
For a multiple part number RoHS Certificate of Compliance, [click here](#)

Please visit the [Contact Us](#) section for any non-product compliance questions.

**Search Parts in this Series**

[70104Series](#)

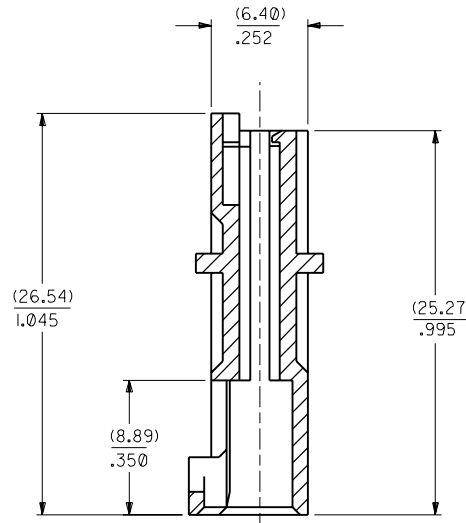
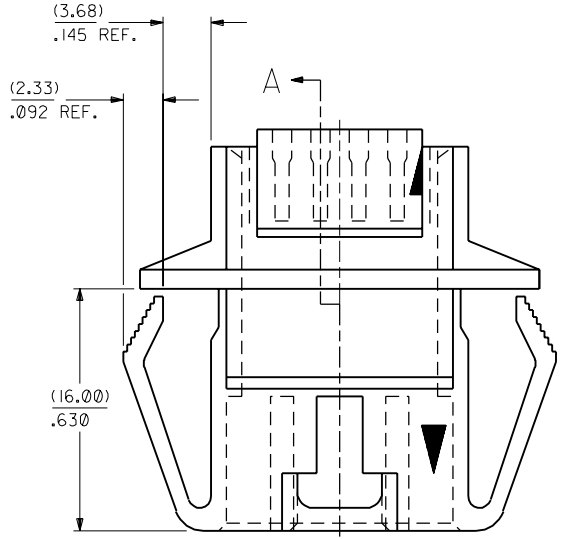
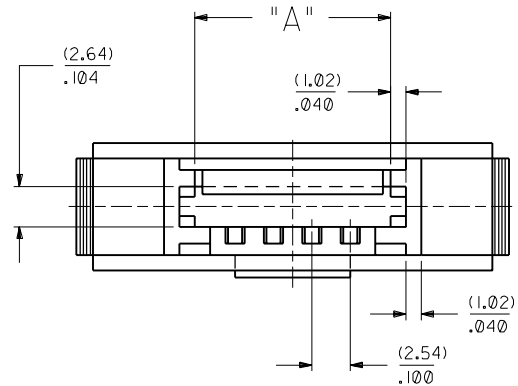
**Use With**

[70066](#) SL™ Crimp Housing. [70475](#) SL™ IDT Connector Assembly. [70431](#) SL™ FFC/ FPC Connector

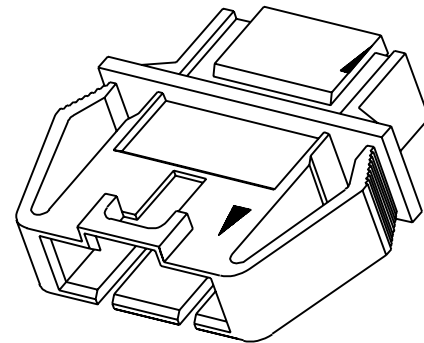
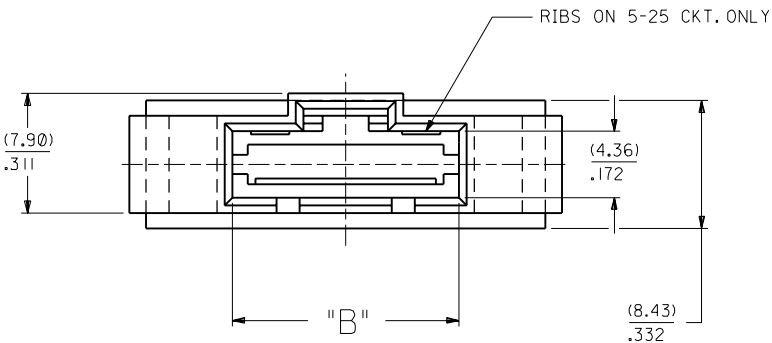
NOTES

- 1) MATERIAL : POLYESTER, 94V-0  
COLOR : BLACK
- 2) SEE CHART FOR CIRCUIT SIZES .
- 3) HOUSING TO BE USED WITH 70400 SERIES HOUSING (OPTION "D" & INTERIM CLIP 70004 (VERSION A)
- 4) PANEL THICKNESS (0.81)/.032 - (2.36)/.093
- 5) SEE SHEET 2 FOR MOUNTING HOLE DIMENSIONS .
- 6) PACKAGE PER PK-70104-100.

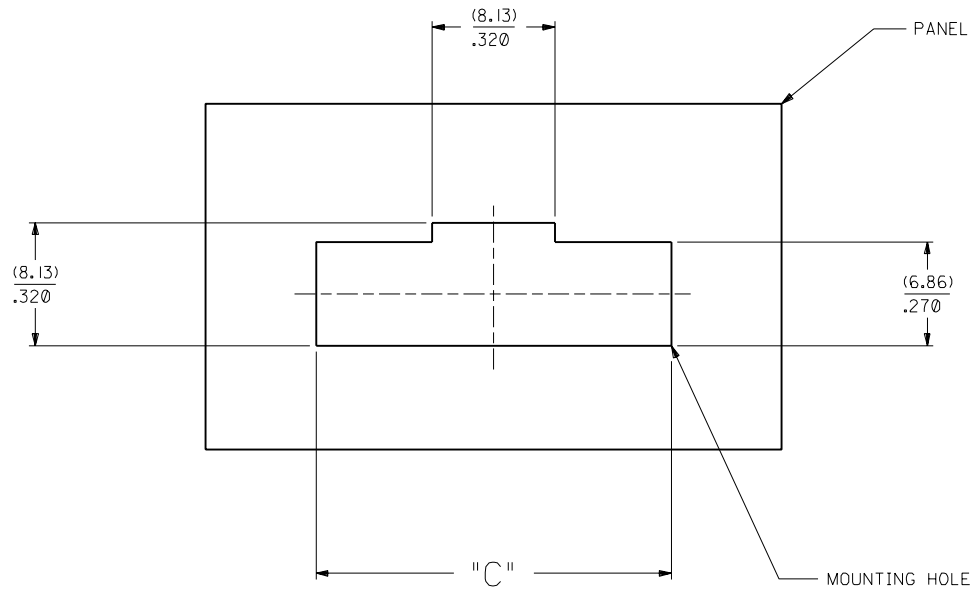
CKT. NO.	EDP. NO.	ENG. NO.	DIM. A	DIM. B
4	50-65-0104	70104-0003	(10.29) .405	(12.45) .490
5	50-65-0105	70104-0004	(12.83) .505	(14.99) .590
6	50-65-0106	70104-0005	(15.37) .605	(17.53) .690
7	50-65-0107	70104-0006	(17.91) .705	(20.07) .790
8	50-65-0108	70104-0007	(20.45) .805	(22.61) .890
9	50-65-0109	70104-0008	(22.99) .905	(25.15) .990
10	50-65-0110	70104-0009	(25.53) 1.005	(27.69) 1.090
11	50-65-0111	70104-0010	(28.07) 1.105	(30.23) 1.190
12	50-65-0112	70104-0011	(30.61) 1.205	(32.77) 1.290
13	50-65-0113	70104-0012	(33.15) 1.305	(35.31) 1.390
14	50-65-0114	70104-0013	(35.69) 1.405	(37.89) 1.490
15	50-65-0115	70104-0014	(38.23) 1.505	(40.39) 1.590
16	50-65-0116	70104-0015	(40.77) 1.605	(42.93) 1.690
17	50-65-0117	70104-0016	(43.31) 1.705	(45.47) 1.790
18	50-65-0118	70104-0017	(45.85) 1.805	(48.01) 1.890
19	50-65-0119	70104-0018	(48.39) 1.905	(50.55) 1.990
20	50-65-0120	70104-0019	(50.93) 2.005	(53.09) 2.090
21	50-65-0121	70104-0020	(53.47) 2.105	(55.63) 2.190
22	50-65-0122	70104-0021	(56.01) 2.205	(58.17) 2.290
23	50-65-0123	70104-0022	(58.55) 2.305	(60.71) 2.390
24	50-65-0124	70104-0023	(61.09) 2.405	(63.25) 2.490
25	50-65-0125	70104-0024	(63.63) 2.505	(65.79) 2.590



SECTION A-A



REVISIONS I ADD PKG NOTE PER UDT2000-0468 SCHAFER 93/12/1 G REVISED RIBS AND DIM "A" PER E.C.R #9776 06/11/87 M.J.M. H REVISE PER ECR #L00070 4/27/88 M.J.M.		DIMENSIONS SHOWN (METRIC) INCH UNLESS OTHERWISE SPECIFIED TOLERANCES: ANGULAR ± 1/2° INCH METRIC 5 PLACE ± .010 --- 2 PLACE ± .014 ± 0.25 1 PLACE --- ± 0.35 DRAFT WHERE APPLICABLE MUST REMAIN WITHIN DIMENSIONS DRWG. BY ME CHK'D. BY WZ APP'D. BY RL SCALE 4 : 1		REVISE ONLY ON CAD SYSTEM TITLE HOUSING PANEL MOUNT (INTERIM CLIP TO OPT. "D" HSG.) MOLEX INCORPORATED SHEET NO. DATE LISLE, ILL. 60532 U.S.A. 1 OF 2 4/25/86 PART NO. DRWG. NO. SEE CHART SD-70104-0003-0024 FILE NAME ST0104X1 DIV. THIS DRAWING CONTAINS INFORMATION THAT IS PROPRIETARY TO MOLEX INC. AND SHOULD NOT BE USED WITHOUT WRITTEN PERMISSION. DA C	
---	--	---	--	--	--



RECOMMENDED MOUNTING HOLE LAYOUT

CKT. NO.	EDP. NO.	ENG. NO.	DIM. C
4	50-65-0104	70104-0003	(20.95) / .825
5	50-65-0105	70104-0004	(23.49) / .925
6	50-65-0106	70104-0005	(26.03) / 1.025
7	50-65-0107	70104-0006	(28.57) / 1.125
8	50-65-0108	70104-0007	(31.11) / 1.225
9	50-65-0109	70104-0008	(33.65) / 1.325
10	50-65-0110	70104-0009	(36.19) / 1.425
11	50-65-0111	70104-0010	(38.73) / 1.525
12	50-65-0112	70104-0011	(41.27) / 1.625
13	50-65-0113	70104-0012	(43.81) / 1.725
14	50-65-0114	70104-0013	(46.35) / 1.825
15	50-65-0115	70104-0014	(48.89) / 1.925
16	50-65-0116	70104-0015	(51.43) / 2.025
17	50-65-0117	70104-0016	(53.97) / 2.125
18	50-65-0118	70104-0017	(56.51) / 2.225
19	50-65-0119	70104-0018	(59.05) / 2.325
20	50-65-0120	70104-0019	(61.59) / 2.425
21	50-65-0121	70104-0020	(64.13) / 2.525
22	50-65-0122	70104-0021	(66.67) / 2.625
23	50-65-0123	70104-0022	(69.21) / 2.725
24	50-65-0124	70104-0023	(71.75) / 2.825
25	50-65-0125	70104-0024	(74.29) / 2.925

LTR.	REVISIONS	LTR.	REVISIONS
		F	SEE SHEET 1

DIMENSIONS SHOWN (METRIC) INCH	
UNLESS OTHERWISE SPECIFIED TOLERANCES: ANGULAR 1/2°	
3 PLACE	± .005
2 PLACE	± .01 ± 0.13
1 PLACE	--- ± 0.25
DRAFT WHERE APPLICABLE MUST REMAIN WITHIN DIMENSIONS	
DRWG. BY: ME	CHK'D. BY: WZ
APP'D. BY: RL	SCALE: 4 : 1

MFG. SH. REV.		REVISE ONLY ON CAD SYSTEM	
TITLE: HOUSING PANEL MOUNT (INTERIM CLIP TO OPT. "G" HSG.)			
MOLEX INCORPORATED L15LEJLL 60532 U.S.A.		SHEET NO. 2	DATE 4/11/86
PART NO. SD-70104-0003-0024		DRWG. NO.	
FILE NAME: S70104X2		THIS DRAWING CONTAINS INFORMATION THAT IS PROPRIETARY TO MOLEX INC. AND SHOULD NOT BE USED WITHOUT WRITTEN PERMISSION.	